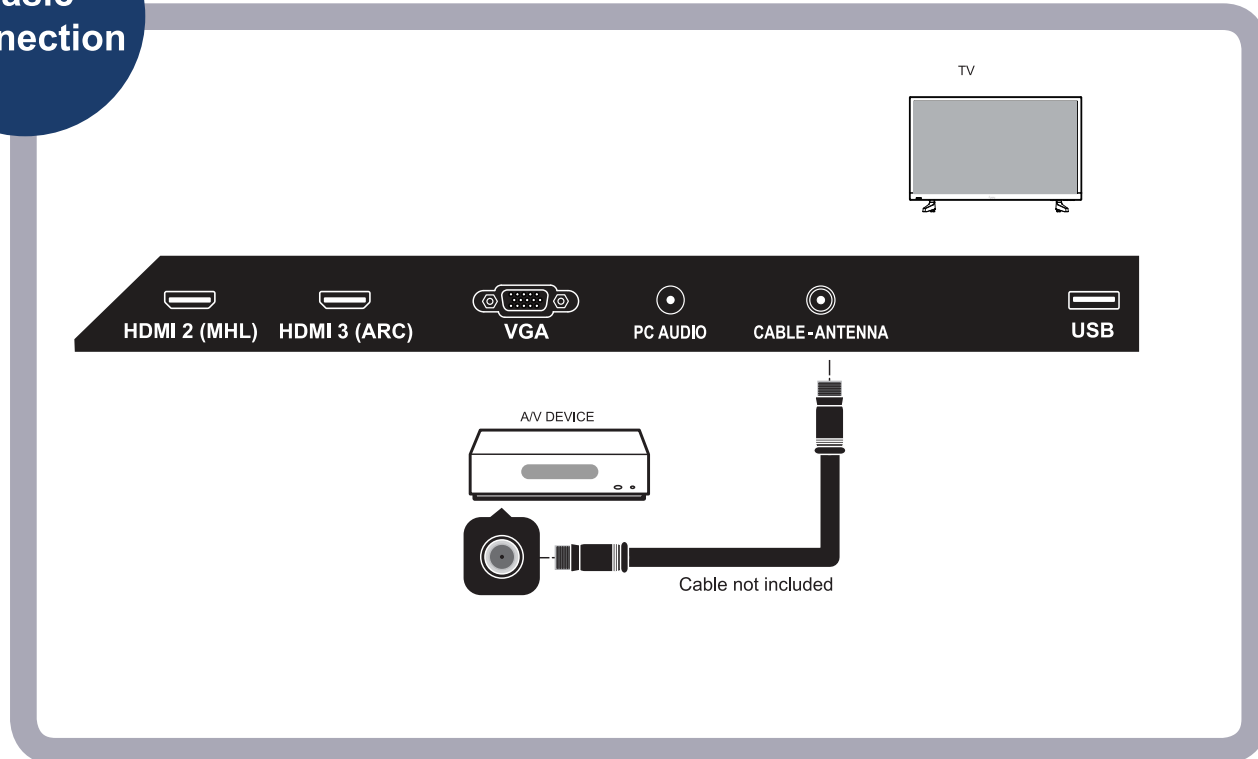
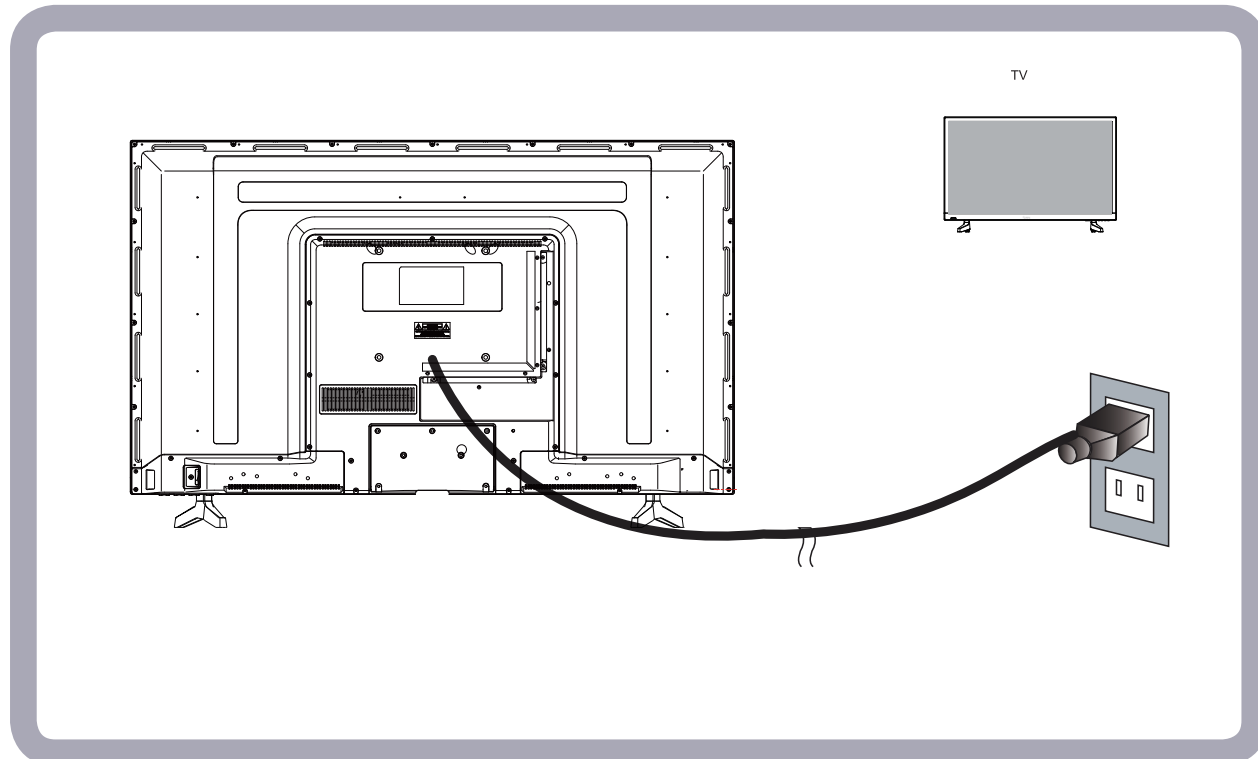


Basic Connection

Coaxial / RF Cable / Antenna



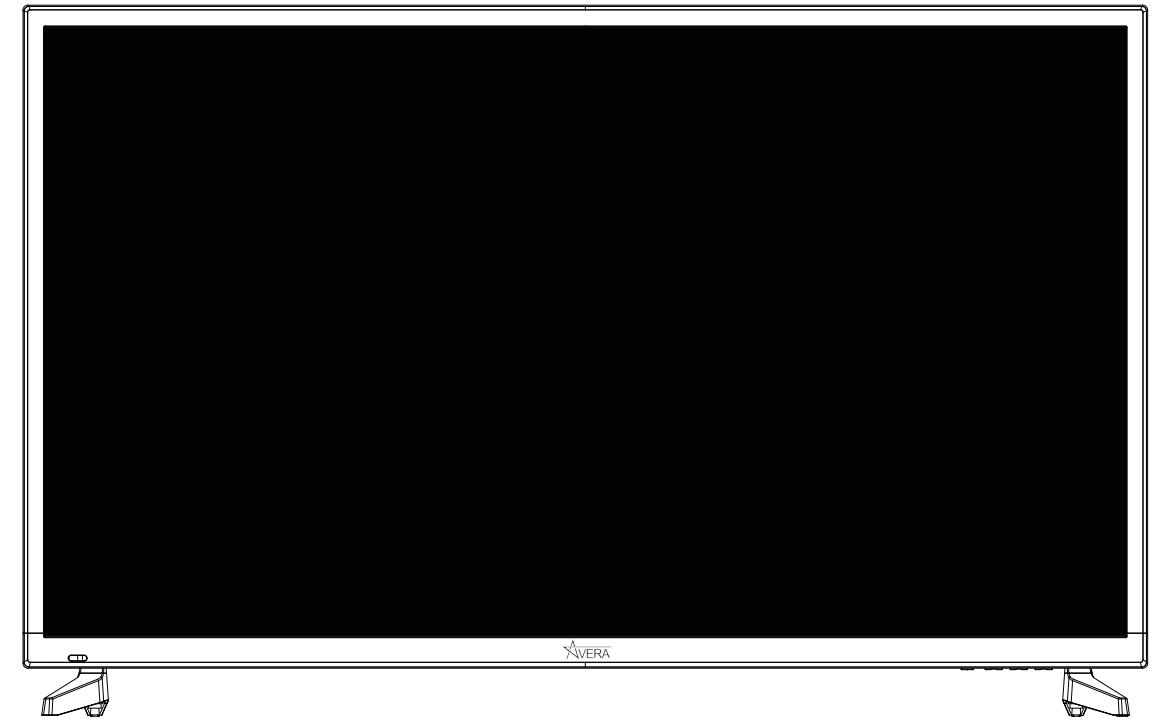
Connect Power Cord



Press the **POWER** button on the remote control to turn on the TV

QUICK START GUIDE

Simple Steps for Connecting your TV to A/V Devices



**IMPORTANT NOTE:**

During setup, do NOT run the “Channel Auto Scan” function if your TV is connected to a Cable or Satellite set top box.

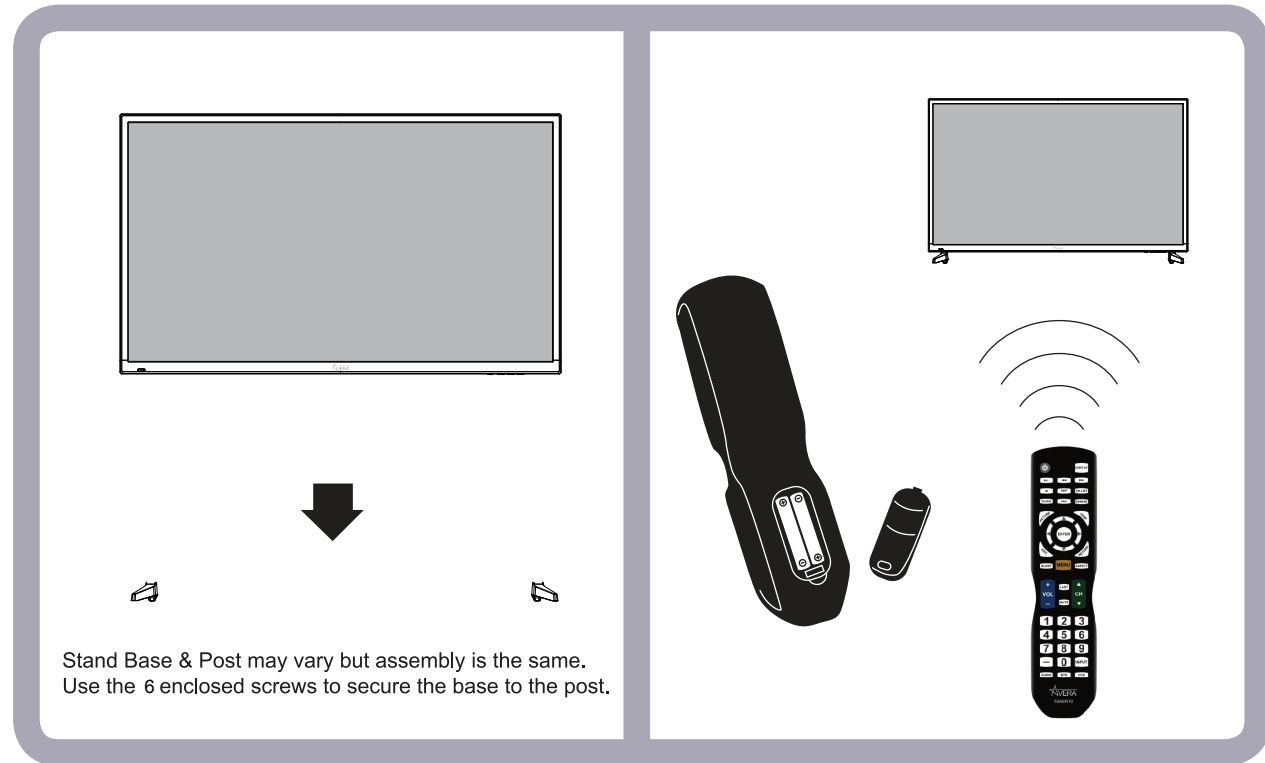
**A/V Devices Include:**

- Blu-ray® Disc Players
- DVD Players
- Cable, Satellite, or Set-Top Boxes
- VCRs
- Game Consoles

**If you need additional help, please consult your user manual.**

“HDMI”, the HDMI Logo and High-Definition Multimedia Interface are trademarks or registered trademarks of HDMI Licensing LLC.”  
“Blu-ray Disc” is a trademark of Blu-ray Disc Association, registered in the U.S. and other countries. All other trademarks are the property of their respective owners.

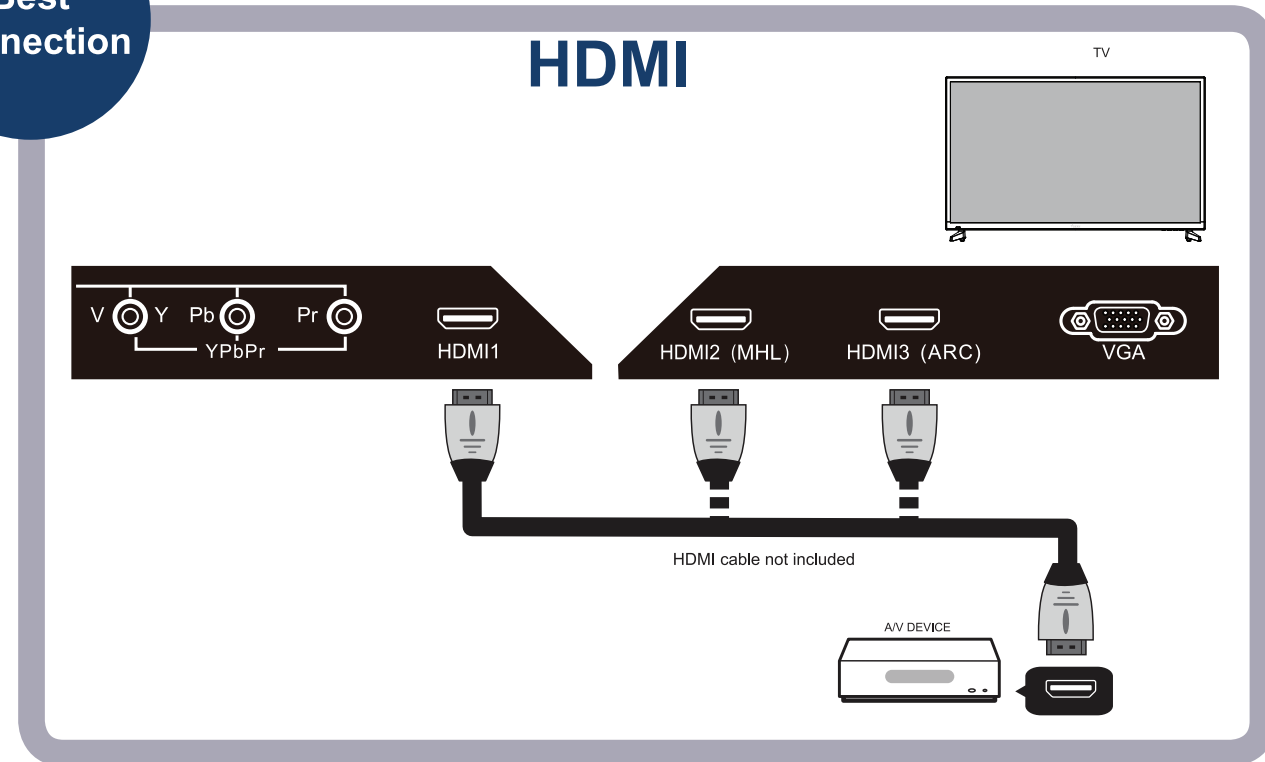
**Insert the TV into the base and securely attach.  
Install the batteries in the Remote Control**



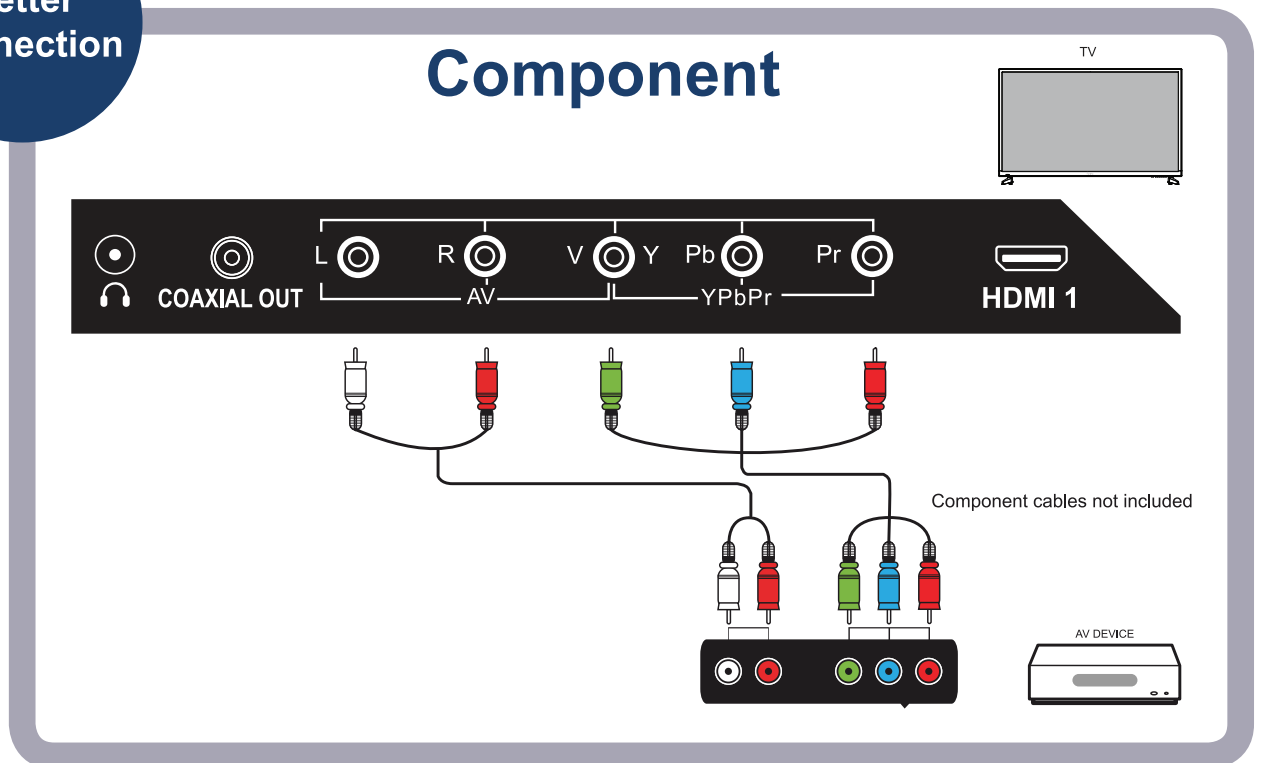
To operate this TV using the remote control provided by your Cable / Satellite provider, follow the programming instructions included with the providers' remote control and input the following codes when prompted;

- For Comcast or DirecTV remote controls, input the code- 10030.
- For AT&T (U-verse) remote Controls, input the code- 1043.
- For RCA Universal Remote Controls, input the code- 0030.
- For Dish Network remote controls, input the code- 506.

**Best Connection**



**Better Connection**



**Good Connection**

